



**Rubinetto bidet**  
**Bidet tap**  
**Bidet-Armaturen**

**Art. 1150**

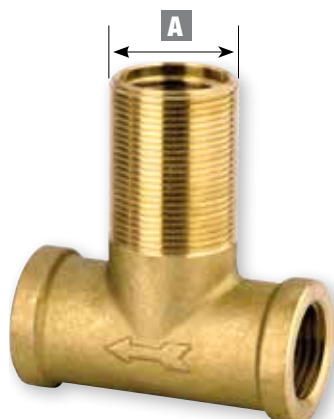
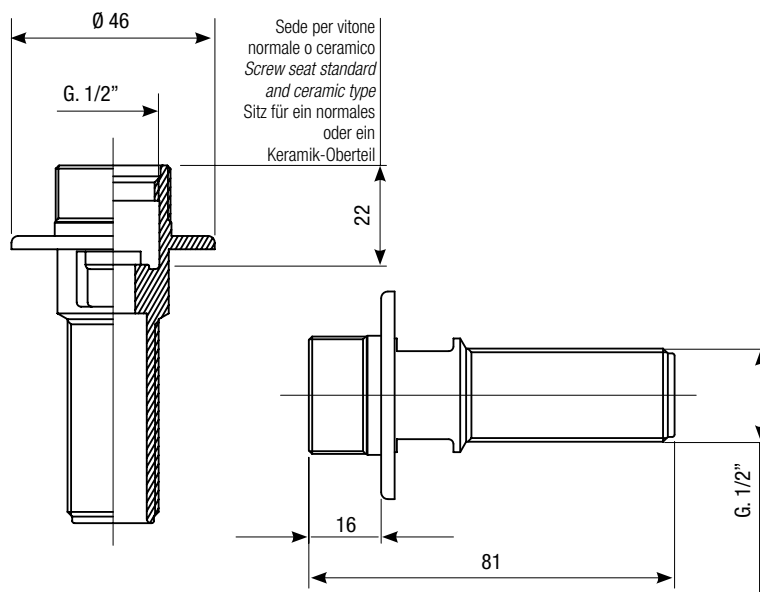
**A** = Ø 26x 19"

**Art. 1152**

**A** = Ø 27x 19"

**Art. 1151**

**A** = G. 3/4"



**Rubinetto d'arresto G.1/2"**  
**G.1/2 regulation tap**  
**Abstellhahn mit 1/2"-Drehung**

**Art. 1140**

**A** = Ø 26x 19"

**Art. 1139**

**A** = Ø 27x 19"

**Art. 1138**

**A** = G. 3/4"

